

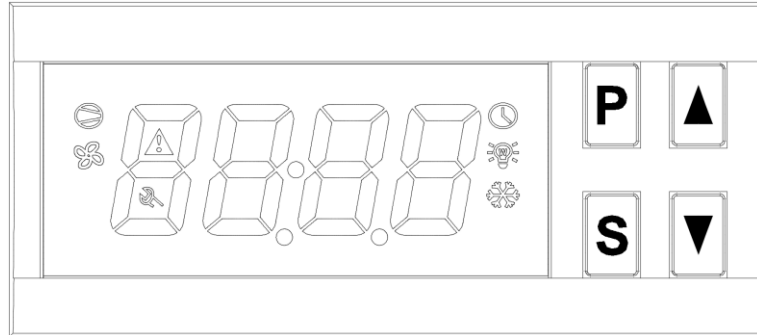
## ZL-6231A Temperature Controller

### Introduction

A multifunction timer which is for incubator air exhaustion, or egg tray turning, or other application.

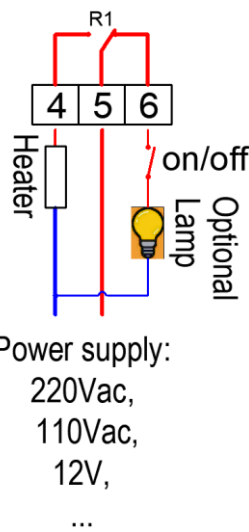
### Main Specification

- Power supply: 185~245Vac, 50/60Hz
- Sensor: NTC, wire length is 2 meters
- Outputs: 10A, 250Vac **resistance**
- Setting range: -40~120°C
- Display range: -40~130°C
- Working: -10~45°C, 5~90%RH without dew
- Dimension: W78 x H34.5 x D71 (mm)
- Installation drilling: W71 x H29 (mm)
- Case materials: PC + ABS fire proof
- Protection level: IP65 (Front side only)



### Application – R1

The optional lamp could be used for some incubators to keep the room watchable.

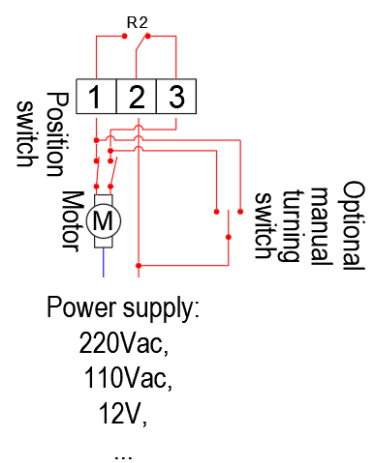


### Application – R2, as egg tray turning control

For 3 wires motor, set period 1 for left turning, period 2 for right turning.

For example:  
 U40=1, U41=60 (60 minutes)  
 U42=1, U43=60 (60 minutes)  
 U44=1

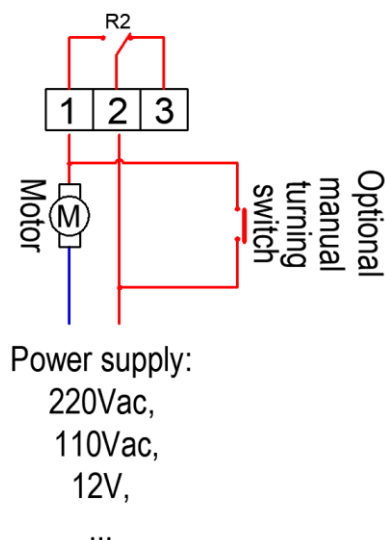
### Version 2:



### Application – R2, as egg tray turning control

For 2 wires motor, set period 1 for motor energized time, set period 2 for motor de-energized time.

For example:  
 U40=0, U41=30 (30 seconds)  
 U42=1, U43=60 (60 minutes)  
 U44=1



### Application – R2, as air exhaustion and high temperature protection

For example:  
 U40=0, U41=30 (30 seconds exhaustion)  
 U42=1, U43=60 (60 minutes not exhaustion)  
 U44=1 without high temperature protection  
 U44=2 with high temperature protection  
 U45=0 turning never stops.

