

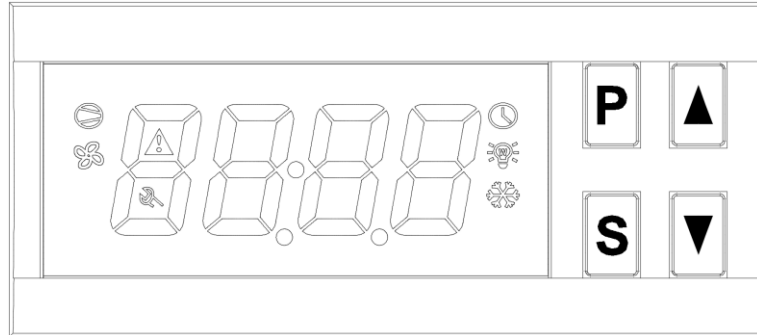
ZL-6231A Temperature Controller

Introduction

A multifunction timer which is for incubator air exhaustion, or egg tray turning, or other application.

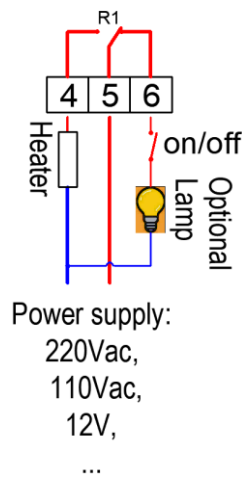
Main Specification

- Power supply: 185~245Vac, 50/60Hz
- Sensor: NTC, wire length is 2 meters
- Outputs: 10A, 250Vac **resistance**
- Setting range: -40~120°C
- Display range: -40~130°C
- Working: -10~45°C, 5~90%RH without dew
- Dimension: W78 x H34.5 x D71 (mm)
- Installation drilling: W71 x H29 (mm)
- Case materials: PC + ABS fire proof
- Protection level: IP65 (Front side only)



Application – R1

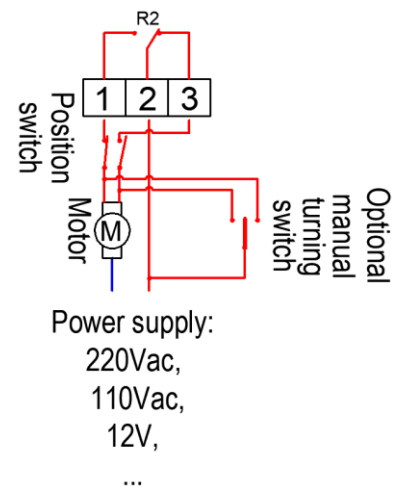
The optional lamp could be used for some incubators to keep the room watchable.



Application – R2, as egg tray turning control

For 3 wires motor, set period 1 for left turning, period 2 for right turning.

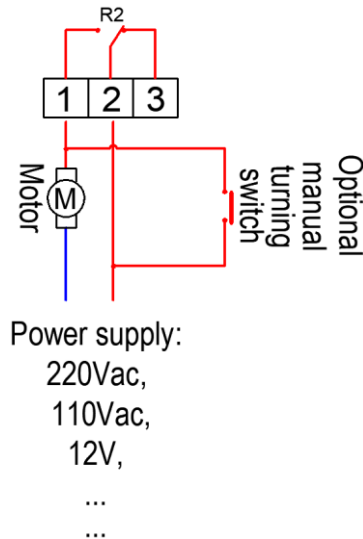
For example:
U40=1, U41=60
(60 minutes)
U42=1, U43=60
(60 minutes)
U44=1



Application – R2, as egg tray turning control

For 2 wires motor, set period 1 for motor energized time, set period 2 for motor de-energized time.

For example:
U40=0, U41=30
(30 seconds)
U42=1, U43=60
(60 minutes)
U44=1



Application – R2, as air exhaustion and high temperature protection

For example:
U40=0, U41=30
(30 seconds exhaustion)
U42=1, U43=60
(60 minutes not exhaustion)
U44=1 without high temperature protection
U44=2 with high Temperature protection
U45=0 turning never stops.

